

**Technical Data:**

Design and Manufacturing : API 609 Category A | ISO 13095 | BS EN 593  
 Face to Face : Short Wafer As Per ISO 5752-TAB 5  
 Dimension : ISO 5752 TAB 5 (API 609-BS 5155)  
 Flange Standard Conformity : ASME B16.5 Class 150 | PN16 | JIS 10K  
 Inspection & Testing : API 598 | BS EN 12266-1 | ISO 5211

**Applications:**

- Superior Corrosion Resistance
- Lightweight & Compact
- Quick & Simple Operation
- Reliable Sealing
- Versatile Applications

**Butterfly Valve Detail:**

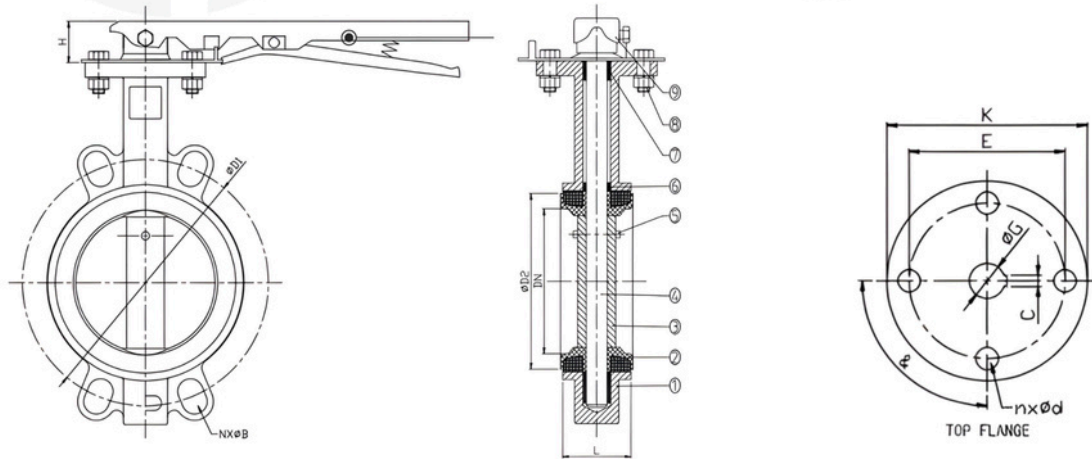
Nominal Pressure : PN10  
 Temperature : -23° + 100°C  
 Shell Test : 1.5 MPa  
 Seal Test : 1.1 MPa  
 Air Test : 0.6 MPa  
 Face to Face : GB/T12221  
 End Standard : GB/T9113  
 Inspection & Test : GB/T13927

Suitable for				
Steam	Water	Oil	Air	Gases
•	•	•	•	•

*Note: It may varies in usage, please consult a Technical Engineer for appropriate materials.*

**Material Specification:**

Part No.	Part Name	Materials
1	Body	SS316L
2	Seat	PTFE
3	Disc	SS316L
4	Stem	SS410
5	Pin	SS304
6	Sleeve	PTFE
7	O-Ring	NBR
8	Bolt	SS201
9	Lever	Q235



**Dimension:**

Sizes	ØD1	ØD2	NXØB	L	H	K	E	ØG	C	nxØd	∠
DN50	125	73	4XØ18	43	28	77	57	Ø12.6	3	4xØ7	90°
DN65	145	85	4XØ18	46	28	77	57	Ø12.6	3	4xØ7	90°
DN80	160	100	4(8)XØ18	46	28	77	57	Ø12.6	3	4xØ7	90°
DN100	180	131	4(8)XØ18	52	32	92	70	Ø15.7	5	4xØ10	90°
DN125	210	155	4(8)XØ18	56	32	92	70	Ø18.92	5	4xØ10	90°
DN150	240	185	4(8)XØ22	56	32	92	70	Ø18.92	5	4xØ10	90°
DN200	295	234	4(8)XØ22	60	42	115	89	Ø22.1	5	4xØ14	90°