

Technical Data:

Upper Flange Standard : ISO5211
 Face to Face : EN 588-1.20
 Pressure : 16 Bar

Applications:

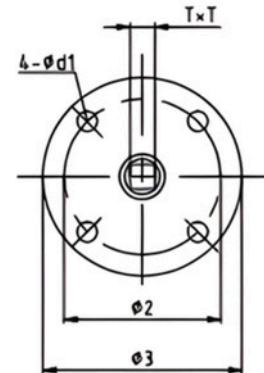
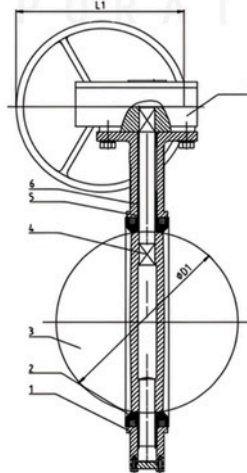
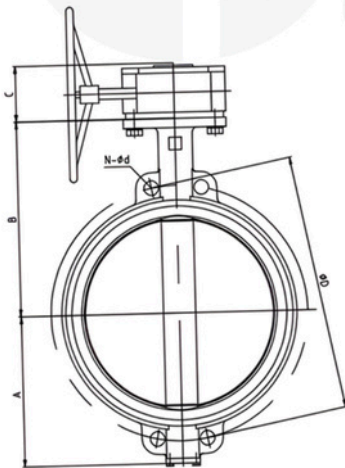
- Compact & Lightweight
- Quick Installation
- Good Flow Control
- Low Maintenance
- Reliable Sealing

Suitable for				
Steam	Water	Oil	Air	Gases
•	•	•	•	•

Note: It may varies in usage, please consult a Technical Engineer for appropriate materials.

Material Specification:

Part No.	Part Name	Material
1	Body	Cast Iron
2	Seat	EPDM/NBR
3	Disc	SS316
4	Stem	SS316
5	Bushing	PTFE
6	O-Ring	EPDM
7	Gear	Ductile Iron ASTM A536



Dimension:

Size	A	B	C	ØD1	ØD	n-Ød	L1	ISO 5211	Ø2	Ø3	4-Ød1	TXT	L
DN350	277	368	80	333.8	470	12-25	270	F14	140	175	175	22x22	75
DN400	308	400	165	390.5	521	12-25	270	F14	140	175	175	27x27	86
DN450	342	422	165	441	584	16-25	270	F14	140	175	175	27x27	105
DN500	374	479	165	492.5	641	16-25	270	F14	140	175	175	27x27	130
DN600	459	562	210	593.6	756	16-32	270	F16	165	210	210	36x36	152