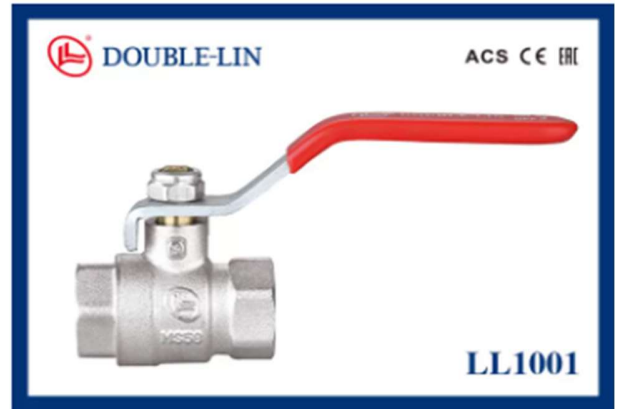
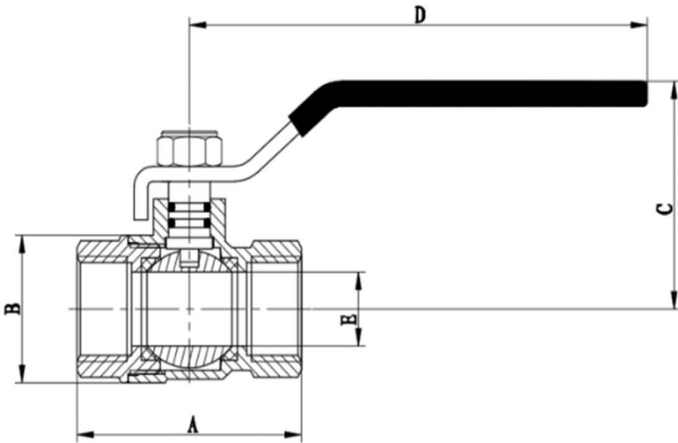




Email: [Nowerving10@gmail.com](mailto:Nowerving10@gmail.com)  
[Nowerving02@gmail.com](mailto:Nowerving02@gmail.com)  
[Nowerving03@gmail.com](mailto:Nowerving03@gmail.com)

• Technical Specification



Materials of Parts

No.	Part	Materials
1	Body	Brass
2	Bonnet	Brass
3	Ball	Brass
4	Seal	PTFE
5	Stem	Brass
6	O ring	NBR
7	O ring	Fluorubber
8	Handle	Iron or steel
9	Nut	Stainless Steel

Dimension mm	1/4"	3/8"	1/2"	3/4"	1"	1-1/4"	1-1/2"	2"	2-1/2"	3"	4"
A	40	41	48.4	56	65	76	85	99	132	152	178
B	23	23	29.5	35.5	42.7	53	63	79	102.5	120.5	144.5
C	39.2	39.8	54.2	57.6	60.6	75.8	81.3	88.5	121.5	129.5	141
D	87	87	95	95	126	140	140	165	224	224	283.5
E	9	10	14.8	19	24	30.2	37	47	62	74	90
PN	25	25	25	25	25	25	25	25	25	25	25

Product Description

1/4 " To 4 " Female X Female 25 Bar Brass Ball Valve With Flat Lever Handle

• Description

**Working Pressure** 25bar (362.5 psi)  
**Working Temperature** from -10 °C to +120 °C (from 14°F to 248°F)  
**Thread** ISO228 (equivalent to DIN 259 and BS2779)  
**Opening/closing Test** 10,000 times

• Details

**Brass Valve Body:** High-density forging, no blister, no air holes, no leakages. Made by special high precision CNC machines.  
**Brass Bonnet:** High-density forging, no blister, no air holes, no leakages. Made by special high precision CNC machines.  
**Valve Ball:** Smooth and wear resisting, with good sealing performance.  
**Brass Valve Stem:** Made of hot rolled brass, high tensile strength, good toughness, long-term use without deformation, fracture.  
**Ball Seat:** Made by pure PTFE (polytetrafluoroethylene), with high elasticity and wear resistance, is not easy aging.  
**Handle:** Plated with dacromet, the surface is coated against corrosion, the coating is thickened, the thickness is up to 1.3mm, comfortable using.  
**O-ring:** NBR & FKM, made of imported raw material, small friction coefficient, long service life and not easy to leak.  
**Stainless Steel Locknut:** Internal design of anti-loose, can be used for long time.

Item:	Brass Ball Valve	Size:	1/4" - 4"
Brass Material:	HPB 57-3	Connection Type:	Female X Female
Handle Material:	Iron Or Steel	Handle Type:	Lever
Stem Type:	Double O-ring	Stem Material:	Brass
Seat Material:	PTFE	Body Seal Material:	PTFE
Working Pressure:	25 Bar(362.5 Psi)	Opening/Closing Test:	10,000 Times
Thread:	ISO228 (equivalent To DIN 259 And BS2779)	Working Temperature:	From -10 °C To +120 °C (from 14°F To 248°F)
High Light:	362.5PSI Brass Ball Valves, 25bar Brass Ball Valves, PN25 4 inch brass ball valve		